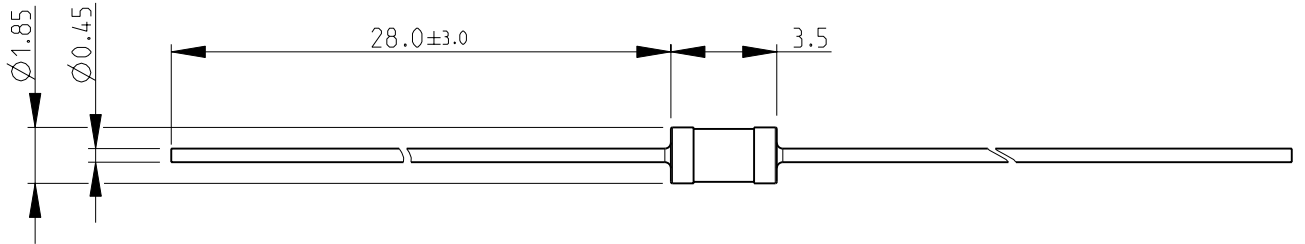
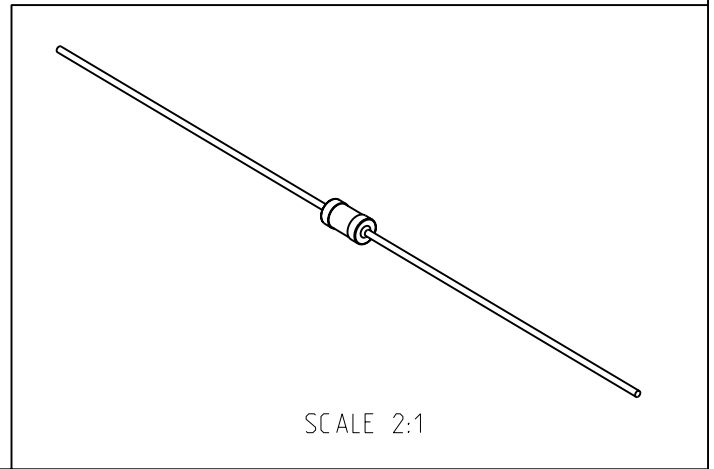


LOC	DIST	REVISIONS					
E	B	P	LTR	DESCRIPTION	DATE	DWN	APVD
			BA	NEW RELEASE	20-Sep-08	SM	St.P

FOR FURTHER INFORMATION SEE DATA SHEET FOR  
CFR SERIES-CARBON FILM FIXED RESISTORS



RoHS Compliant



SCALE 2:1

2008

RELEASED FOR PUBLICATION

THIS DRAWING IS UNPUBLISHED.

BY TYCO ELECTRONICS CORPORATION. ALL RIGHTS RESERVED.  
COPYRIGHT 2008

DIMENSIONS: mm	DWN	20-Sep-08	MATERIAL	-	FINISH	-
	CHK	20-Sep-08	Tyco Electronics Corporation Dorcan, Swindon, SN3 5HH			
TOLERANCES UNLESS OTHERWISE SPECIFIED:	APVD	20-Sep-08				
0 PLC $\pm 0.2$	STEPHEN.P		NAME CARBON FILM FIXED RESISTORS SERIES CFR16			
1 PLC $\pm 0.1$	PRODUCT SPEC	-				
2 PLC $\pm$	APPLICATION SPEC	-	SIZE	CAGE CODE	DRAWING NO	RESTRICTED TO
3 PLC $\pm$			A 4	00779	C-1623927	-
4 PLC $\pm$	WEIGHT	-	CUSTOMER DRAWING			
ANGLES $\pm 5^\circ$			SCALE	4:1	SHEET	1 OF 1
					REV	BA